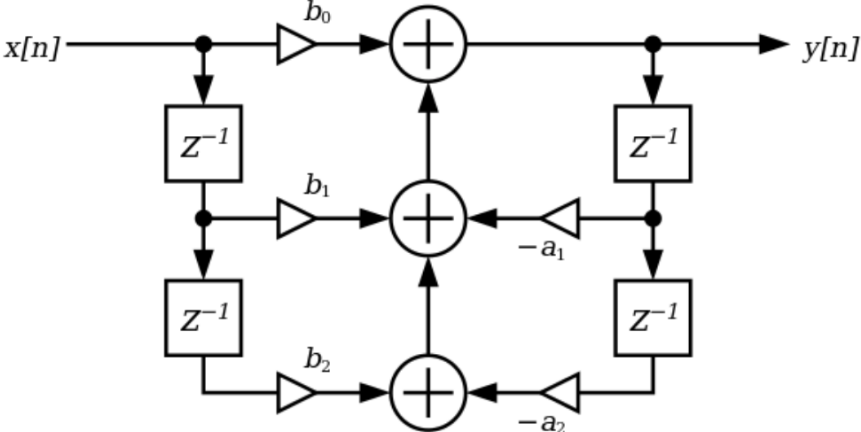


BIQUAD FILTER FOR NEON



Overview

This program implements the filtering of a cascade of biquads. The hypothesis are :

- The processing is made by blocks of floating point audio samples, mono.
- The input samples are contiguous, 32bits each, IEEE format.
- There are 5 coefficients for each filter of the cascade, coded in floating point 32bits
- The filter has 4 memory cells allocated by biquad.
- The memory states of each biquad is contiguous.
- The buffer length is a multiple of 4.
- The code has MIT license

The header and example of call is provided as example here :



Header

